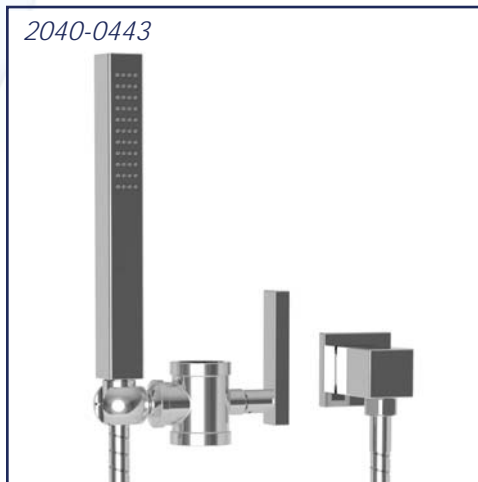
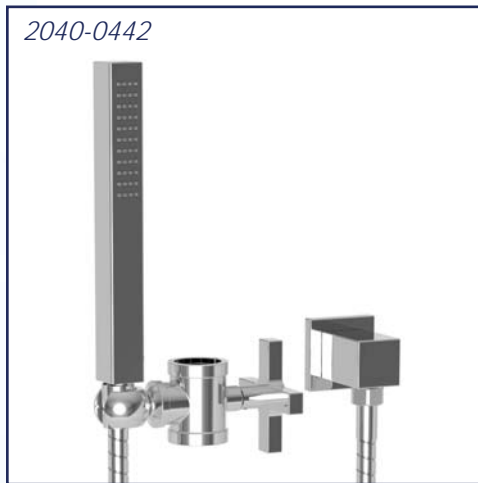


SLIDE BAR KITS FOR GRAB BARS

These unique kits were designed for homeowners that need a grab bar to support their weight but also want the ability to add a luxury hand shower to their bathing experience. Each unit is equipped with a sliding bracket, allowing the user to adjust the height and position of the hand shower to meet their individual requirements. The bracket features an innovation two-piece design that allows for easy installation on existing or new grab bars.*



- Choose from 27 beautiful finishes to match your bath décor
- Compatible with new or existing ADA-compliant 1.25" diameter grab bars
- Each kit comes complete with handshower, hose, slide bar assembly, and supply elbow

**patent pending, grab bar sold separately*

www.newportbrass.com